

## Demag KBK and D-IVP portal cranes

Mobile workplace cranes for load capacities up to 3,200 kg



# Specialised handling equipment for stores and factories

Demag portal cranes run on solid, even floors and can be easily manoeuvred in any direction. This makes them ideal for a wide variety of loading and unloading operations in your factory as well as for maintenance and repair work.

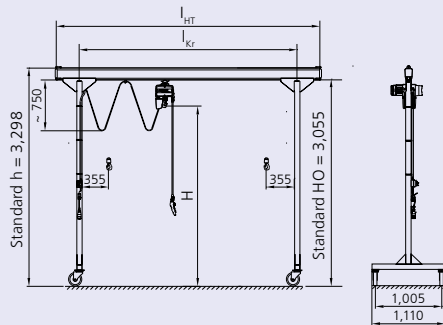
A further benefit: these portal cranes can be easily dismantled, transported and quickly re-erected elsewhere. The crane girder span can be adjusted over a wide range.

Demag portal cranes are the ideal solution wherever a permanent crane would be too complicated or cannot be installed.

Three types are available:

- EVP-KBK: Single-girder portal crane, KBK II or KBK II-H crane girder
- ZVP-KBK: Double-girder portal crane, KBK II or KBK II-H crane girder
- D-IVP: Single-girder portal crane, I-beam crane girder, optional telescopic height adjustment

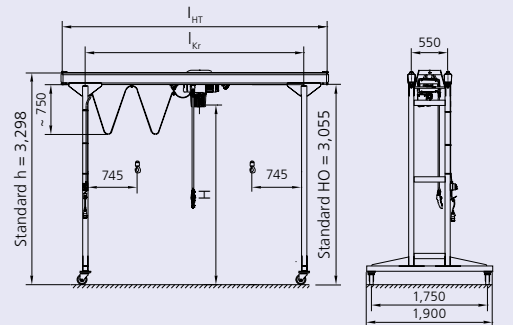
## EVP-KBK



Load capacity [kg]	Span dimension $l_{kr}$ [mm]	Girder length $l_{HT}$ [mm]	Max. lifting height H [mm]
250	2,300 – 5,300	3,000 – 6,000	2,671
315			2,619
400			
500	2,300 – 4,300	3,000 – 5,000	

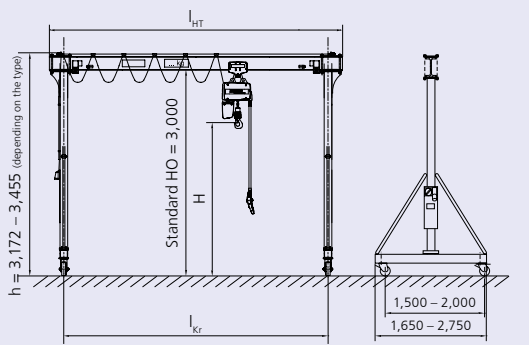
See technical data sheet 202 780 44 for further details on KBK portal cranes.

## ZVP-KBK



Load capacity [kg]	Span dimension $l_{kr}$ [mm]	Girder length $l_{HT}$ [mm]	Max. lifting height H [mm]
400	2,300 – 5,300	3,000 – 6,000	2,844
500			
630			
800	2,300 – 4,300	3,000 – 5,000	2,755
1,000			

## D-IVP



Load capacity [kg]	Span dimension $l_{kr}$ [mm]	Girder length $l_{HT}$ [mm]	Max. lifting height* H [mm]
250	3,105 – 6,105	3,445 – 6,445	2,584
500			2,532
1,000	3,140 – 6,140	3,510 – 6,510	2,443
1,600	3,160 – 6,160	3,690 – 6,690	2,339
2,000			
2,500	3,200 – 6,200	3,770 – 6,770	2,248
3,200			

\* for lower edge of girder section = 3,000 mm  
See technical data sheet 203 363 44 for further details on D-IVP portal cranes.

## Terex MHPs GmbH

Wetter site  
 Ruhrstrasse 28 · 58300 Wetter, Germany  
 Phone: +49 (0) 2335 92-0  
 Fax: +49 (0) 2335 92-2406  
 Email: demag-info@terex.com  
 www.demagcranes.com